



# Cost Effective and Reliable Source For Multi Service High Pressure Ball Valves

SERIES - BV105L



[www.sealexcel.com](http://www.sealexcel.com)

*Advanced Technology in design, development and production of world class quality Fittings and Valves for Instrumentation, Process Tubing etc. ensure  
A TOTAL CUSTOMER SATISFACTIONS*



SEALEXCEL (INDIA) PVT. LTD. A fast growing manufacturing company having over 35 years of experience and expertise with advanced technology in Design, Development and Manufacturing World Class consistent and reliable quality Tube Fitting and Valves used in Fluid/Gas Control System in Industries like Automobile, Chemicals, Petrochemicals, Oil & Gas, Marine, Food, Biotechnology, Pharmaceutical, Packaging and Printing Industries etc.

We have two well-equipped modern manufacturing plant including in-house product performance testing facilities to check and verify the maximum safety and consistent reliable performance under adverse, harsh, stressful environments like vibrations, high pressure, deep vacuum and thermal shock etc.

## RESEARCH & DEVELOPMENT

By continuous Research & Development with advanced technology and high tech cutting edge machineries. SEALEXCEL produce best quality products for its customers.

## QUALITY

SEALEXCEL's total quality system and control from incoming raw material inspection through ongoing quality assurance during production, final inspection, assembly, testing, packing and dispatch ensure high standard quality products which has earned us various quality certifications such as

- ISO 9001:2015
- PED 2014/68/EU
- ATEX
- OHSAS 18001 (Safety)
- ISO 14001 (Environment)

SEALEXCEL products are validated by type testing in accordance with

- ASTM F 1387-99(2012)
- ECE R110, ISO 15500
- BS4368:4:1984
- MSS SP-99-2016a
- Helium Leak Test
- ARAI Test Report

## CUSTOMER SATISFACTION

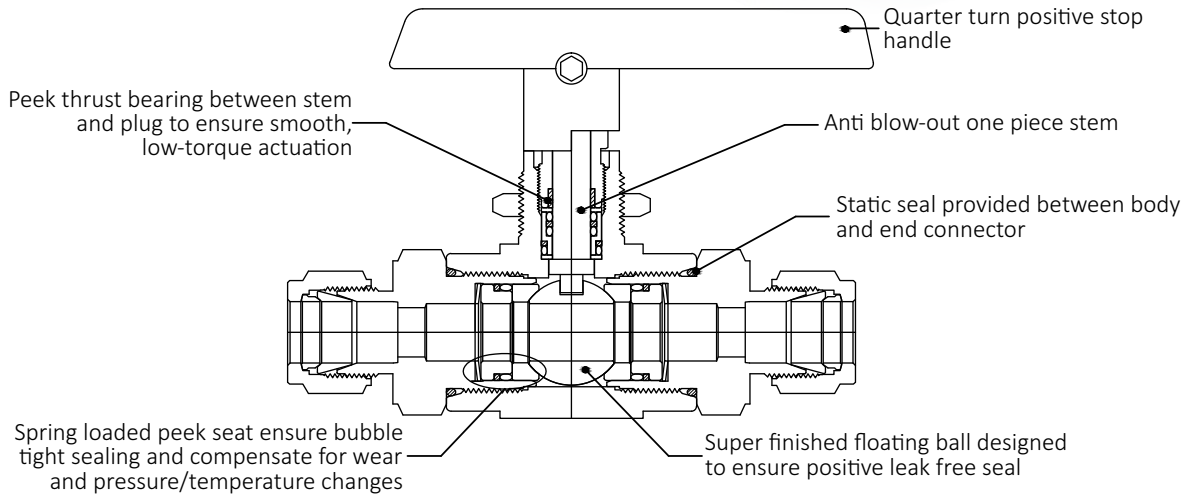
We strive for Total Customer Satisfaction and continuously work to set of goals to provide the best quality and delivery of products and services in the best interest of our customers.

# BALL VALVES : SERIES - BV105L



## FEATURES / BENEFITS

- Available in SS316
- Heat Code Traceable to certified material test report
- Three piece body design, Panel mountable
- Low torque operation, Bi-directional Flow
- PTFE or PEEK Ball seat
- Variety of end configurations includes SEALEXCEL<sup>®</sup> Well-Lok<sup>®</sup> Tube Fittings, Male/Female NPT, BSPT pipe connection
- Every valve is factory tested



## OPERATING PARAMETERS

Pressure Rating : upto 2500 psig (170 bar) at CWP with PTFE seat  
 : upto 6000 psig (413 bar) at CWP with Peek seat

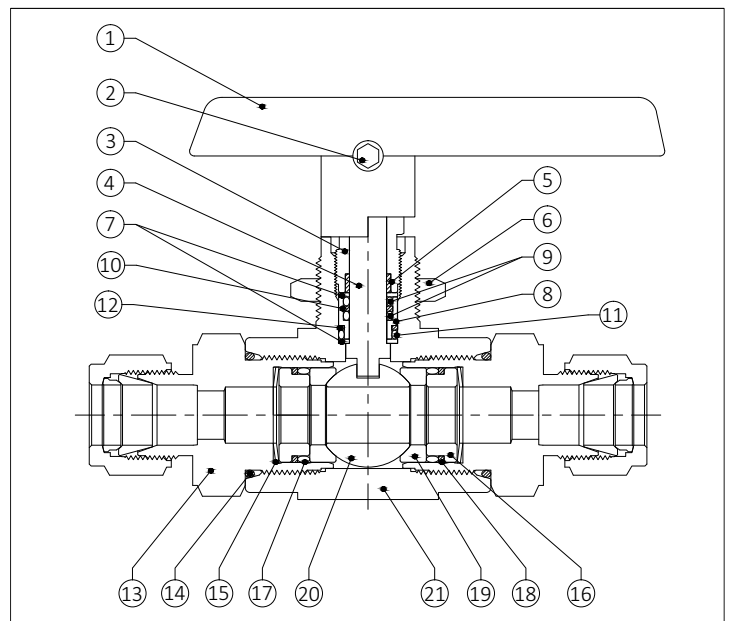
Temperature Rating : -50°C to 160°C

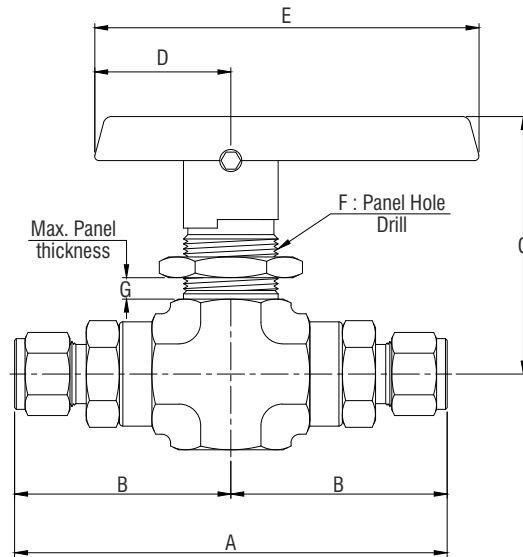
## APPLICATIONS

- Instrument Air Lines
- General Plant Service
- High Pressure Instrument Lines
- CNG

## MATERIAL OF CONSTRUCTIONS

No.	Component	Material
1	Handle	Nylon
2	Set Screw	SS316
3	Packing nut	SS316
4	Stem	SS316
5	Stem Bearing	PEEK
6	Panel Nut	SS316
7	Stem Washer	SS316
8	Seal Retainer	SS316
9	'O' Ring	Viton
10	Backup Ring	PTFE
11	'O' Ring	Viton
12	Backup Ring	PTFE
13	End Connector	SS316
14	'O' Ring	Viton
15	Disc Spring	Stainless Steel
16	Seat Supporter	SS316
17	'O' Ring	Viton
18	Back-up Ring	PTFE
19	Valve Seat	PEEK
20	Floating Ball	SS316
21	Valve Body	SS316





**STANDARD CONFIGURATION DIMENSIONS**

End Connections		Orifice	Cv	Dimensions (mm)							Ordering Number
Inlet	Outlet			A	B	C	D	E	F	G	
1/8" Well-Lok	1/8" Well-Lok	2.4	0.21	69.0	34.5	25.0	19.1	47.8	14.7	3.3	BV105L-TT2
1/8" Female NPT	1/8" Female NPT	4.2	0.93	54.4	27.2	25.0	19.1	47.8	14.7	3.3	BV105L-FF2N
1/8" Male NPT	1/8" Male NPT	4.2	0.93	60.0	30.0	25.0	19.1	47.8	14.7	3.3	BV105L-MM2N
1/4" Male NPT	1/4" Male NPT	4.2	0.93	68.6	34.3	25.0	19.1	47.8	14.7	3.3	BV105L-MM4
3mm Well-Lok	3mm Well-Lok	2.2	0.18	68.8	34.8	25.0	19.1	47.8	14.7	3.3	BV105L-TT3M
1/4" Well-Lok	1/4" Well-Lok	4.7	1.04	88.4	44.2	41.5	25.4	63.5	19.6	6.4	BV105L-TT4
1/4" Female NPT	1/4" Female NPT	6.4	2.34	76.8	38.4	41.5	25.4	63.5	19.6	6.4	BV105L-FF4
1/4" Male NPT	1/4" Male NPT	6.4	2.34	82.2	41.1	41.5	25.4	63.5	19.6	6.4	BV105L-MM4
3/8" Well-Lok	3/8" Well-Lok	6.4	2.34	91.4	45.7	41.5	25.4	63.5	19.6	6.4	BV105L-TT6
6mm Well-Lok	6mm Well-Lok	4.7	1.04	89.0	44.5	41.5	25.4	63.5	19.6	6.4	BV105L-TT6M
8mm Well-Lok	8mm Well-Lok	6.4	2.34	90.4	45.2	41.5	25.4	63.5	19.6	6.4	BV105L-TT8M
10mm Well-Lok	10mm Well-Lok	6.4	2.34	92.0	46.0	41.5	25.4	63.5	19.6	6.4	BV105L-TT10M
3/8" Female NPT	3/8" Female NPT	10.3	6.42	99.0	49.5	66.5	38.1	101.6	22.9	9.7	BV105L-FF6
1/2" Female NPT	1/2" Female NPT	10.3	6.42	109.2	54.6	66.5	38.1	101.6	22.9	9.7	BV105L-FF8
1/2" Well-Lok	1/2" Well-Lok	10.3	6.42	118.8	59.4	66.5	38.1	101.6	22.9	9.7	BV105L-TT8
1/2" Male NPT	1/2" Male NPT	10.3	6.42	112.8	56.4	66.5	38.1	101.6	22.9	9.7	BV105L-MM8
3/4" Well-Lok	3/4" Well-Lok	10.3	6.42	118.4	59.2	66.5	38.1	101.6	22.9	9.7	BV105L-TT12
12mm Well-Lok	12mm Well-Lok	9.5	5.57	118.4	59.2	66.5	38.1	101.6	22.9	9.7	BV105L-TT12M
16mm Well-Lok	16mm Well-Lok	10.3	6.42	118.4	59.2	66.5	38.1	101.6	22.9	9.7	BV105L-TT16M

Dimensions shown with SEALEXCEL<sup>®</sup> Well-Lok<sup>®</sup> Nut are finger tight

**TESTING :**

- Standard Test : Each valve is factory tested with nitrogen at 2000 psig (138 bar) for leakage at the seat and packing.
- Optional Hydrostatic test : This test is performed with de-ionised water at 1.5 time the working pressure.

Dimensions are for reference only and subject to change

VALVE DESCRIPTION	ORDERING NUMBER FOR TUBE CONNECTIONS	ORDERING NUMBER FOR PIPE END CONNECTIONS
BALL VALVES	$\frac{BV105L-TT}{1} \frac{8-E}{2} \frac{K}{3} \frac{V}{5} \frac{V}{6} \frac{V}{7}$	$\frac{BV105L-FF}{1} \frac{6}{2} \frac{N-E}{3} \frac{K}{4} \frac{V}{5} \frac{V}{6} \frac{V}{7}$

### 1. VALVE SERIES CODE DESCRIPTION

BALL VALVES SERIES : 105L

### 2. END CONNECTION TYPE CODE DESCRIPTION

- TT - SEALEXCEL<sup>®</sup> Well-Lok<sup>®</sup> Tube Fittings
- MM - Male pipe thread
- FF - Female pipe thread
- MT - Male pipe thread to SEALEXCEL<sup>®</sup> Well-Lok<sup>®</sup> Tube Fittings
- MF - Male pipe thread to Female pipe thread

### 4. PIPE THREAD TYPE CODE DESCRIPTION

- N - Male / Female NPT
- RT - Male / Female BSPT
- RG - Female BSP
- SE - SAE Straight Thread

### 3. END CONNECTION SIZE CODE DESCRIPTION TUBE OD SIZE

FRACTIONAL		METRIC	
SIZE	CODE	SIZE	CODE
1/4"ODT	4	6mm ODT	6M
3/8"ODT	6	8mm ODT	8M
1/2" ODT	8	10mm ODT	10M
3/4"ODT	12	12m ODT	12M
1" ODT	16	16mm ODT	16M

### 5. MATERIAL OF CONSTRUCTIONS

- E - SS316
- EL - SS316 to NACE MR01-75

### 6. VALVE / SEAT MATERIAL

- K - Peek
- T - PTFE

### 7. SEAL MATERIAL

- B - Buna-N
- P - EPDM
- V - Viton<sup>®</sup>

### PIPE THREAD SIZE

SIZE	CODE	SIZE	CODE
1/8"	2	1/2"	8
1/4"	4	3/4"	12
3/8"	6	1"	16

Viton<sup>®</sup> is the registered trademark of Dupont

*SEALEXCEL's commitment to upgrading it's product range by way of continuous research and development programme with advance technology and cutting edge solutions to ensure best quality products at competitive price and also best delivery schedule for it's customer with objective of*

**A TOTAL CUSTOMER  
SATISFACTIONS**

# PRODUCT RANGE



 <p>Twin/Single Ferrule Tube Fittings</p>	 <p>37° Flare Tube Fittings To SAE J514</p>	 <p>Instrument Threaded &amp; Welded Pipe Fittings</p>	 <p>Tube Fittings With Integral Flange</p>	 <p>Low /Medium Pressure Ball Valves</p>
 <p>High Pressure Ball Valve</p>	 <p>High Pressure 2/3 Way Ball Valve</p>	 <p>Needle Valve</p>	 <p>Needle Valves (Panel Mountable)</p>	 <p>High Pressure Needle Valve</p>
 <p>Rising Stem Plug Valves</p>	 <p>Gauge/Root Valves</p>	 <p>Instrument 2/3/5 Manifold Valves</p>	 <p>Monoflange Valves</p>	 <p>Single / Double Block &amp; Bleed Valves</p>
 <p>Purge Valves</p>	 <p>Bleed Valves</p>	 <p>Toggle Valves</p>	 <p>Relief Valves</p>	 <p>Check Valves</p>
 <p>Micron In-line Filters</p>	 <p>Quick Connect Couplings</p>	 <p>Stainless Steel Pneumatics Fittings &amp; Valves</p>		



## SEALEXCEL<sup>®</sup> (INDIA) PVT. LTD.

**Registered Office :** 56 & 61, Veena Dalvai Industrial Estate, S. V. Road, Oshiwara, Jogeshwari (west), Mumbai - 400 102. India.  
 Phone : +91-22-26786885, 26788534, 66944124  
 Fax : +91-22-26781426, 66944126  
 E-mail : sales@sealexcel.com, Website : <http://www.sealexcel.com>

**Manufacturing Plant :** At Post - Mahi, Pirojpur - Mahi Road, Via Chhapi, Taluka-vadgam, Dist-Banaskantha, North-Gujarat, Pin-385210. India